

Contact-Temperature Sensor



Schneid GesmbH | Gewerbering 16 | A-8054 | Graz/Pirka | Tel: +43 (316) 285022

Products, data sheets, documentation, MR12-SCHEMA-calculator: www.schneid.at

Contact- temperature sensor

passive Pt1000, incl. connection set

Order number: 010.17419

Order code: Contact- temperature sensor



Overview:

Contact- temperature sensor for pipe applications. Spring-loaded brass pin guarantees fast response times and accurate measurements. NEMA 4X / IP65 certified housing.

Typical applications:

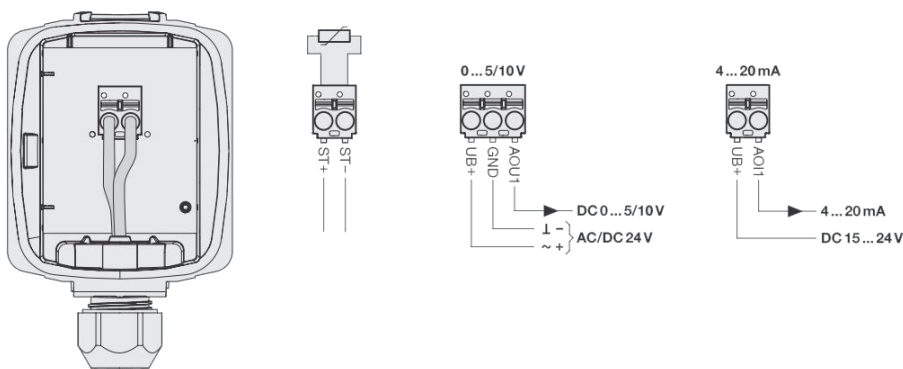
- Building automation
- storage rooms
- air conditioning and ventilation systems
- heating control

Remarks:

General notes on sensors

With passive sensors in two-wire design, the accuracy of the measurement can be influenced as a result of self-heating. Therefore, the supply current should not be greater than 1 mA. When using long connection cables (depending on the wire cross section used), the cable resistance must be taken into account. The lower the impedance of the sensor used, the greater the line resistance affects the measurement, because it generates an offset.

Connection diagram:



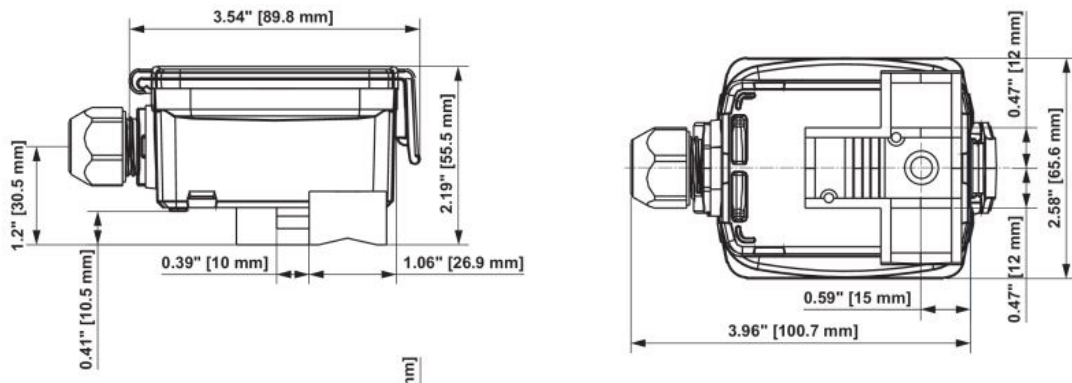
Contact-Temperature Sensor

Safety instructions:

This device is designed for use in stationary heating, ventilation and air conditioning systems and must not be used for applications outside the specified area of application. Unauthorized modifications are prohibited. The device must not be used in combination with other equipment that can injure people, animals or property in the event of a malfunction.

It must be ensured that the power supply is not connected when the device is installed. Do not connect to running devices. The installation must be carried out by authorized specialist personnel. The legal and official regulations must be observed. The device contains electrical and electronic components and must not be disposed of as domestic waste. The local and currently valid legislation must be observed.

Dimensions:



Installation instruction:

