

MR12 Impulse add-on board



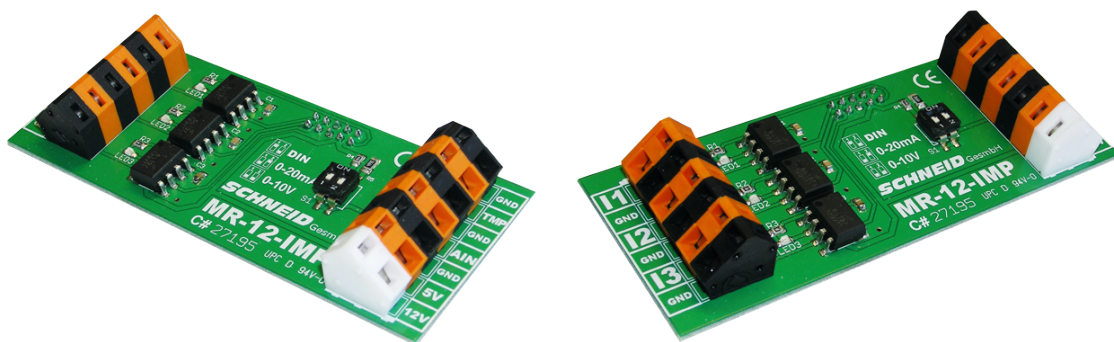
Schneid GesmbH | Gewerbering 16 | A-8054 | Graz/Pirka | Tel: +43 (316) 285022

Products, data sheets, documentation, MR12-SCHEMA-calculator: www.schneid.at

SCHNEID MR12 Impuls-add-on board
for SCHNEID-communication base modules

Order number: 190.16906

Order code: MR12 IMP-Zusatzplatine



Overview:

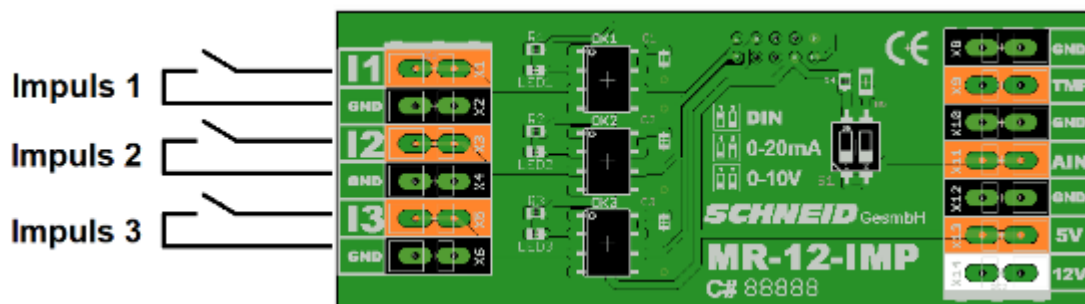
The SCHNEID MR12 IMP-module is used to record 3 pulses for e.g. a flow meter, has an additional PT1000 and also an analog input.

Terminal plan:

Switch contact variant (e.g. REED contacts)

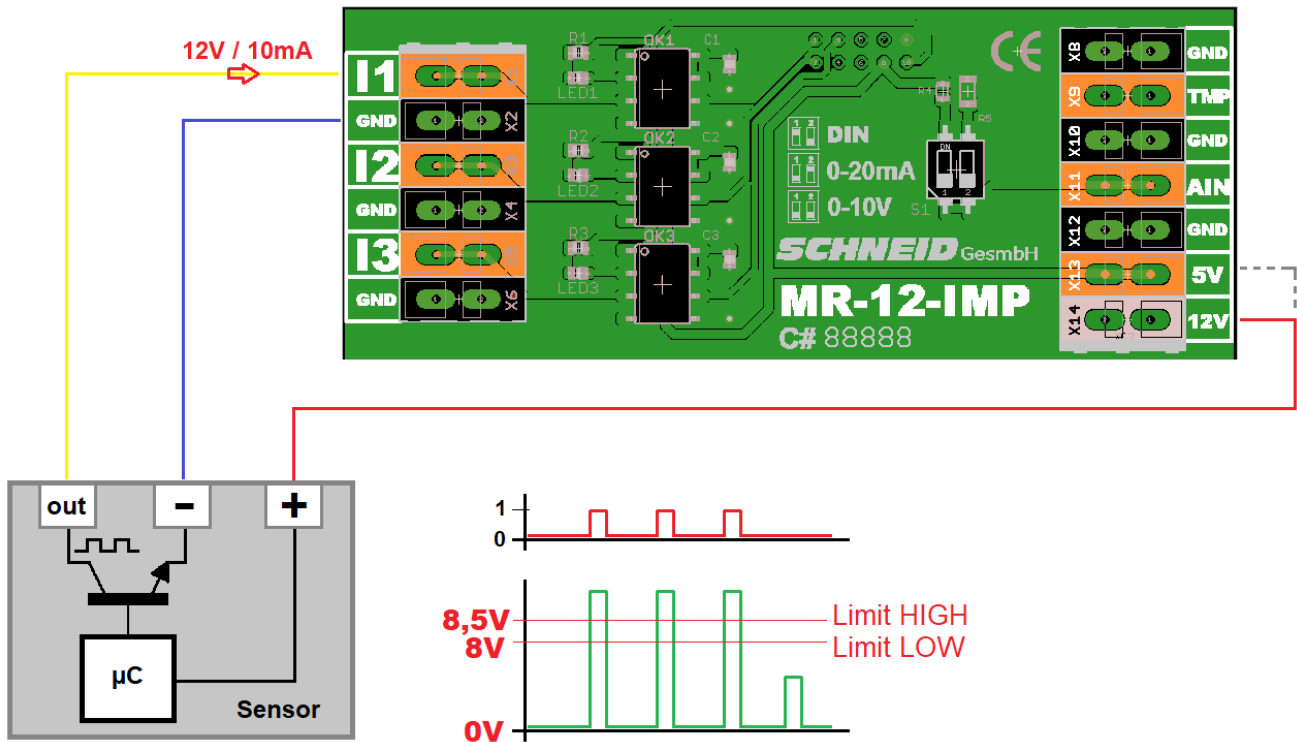
Input current = 10mA

Input voltage active 12V (voltage is output from input)

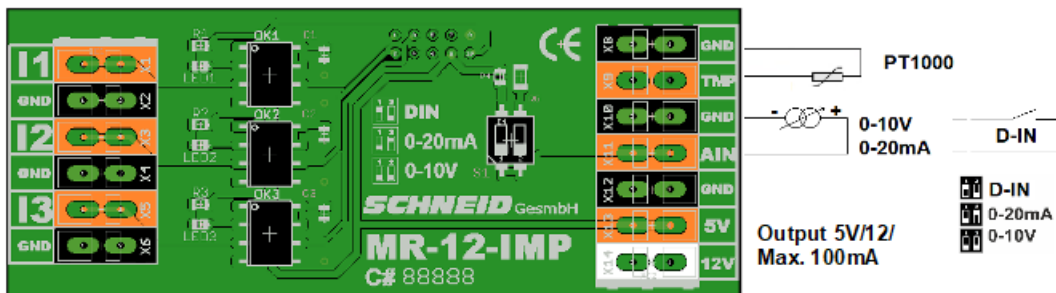


MR12 Impulse add-on board

Variant sensors with open collector output



The additional analog input AIN can be configured as a 0-10V/0-20mA or as a digital input using a dip switch. Another PT1000 sensor input is also available. Outputs with 5VDC and 12VDC are still available for the possible supply of sensors, which may be loaded with max. 100mA.



MR12 Impulse add-on board

Scope of delivery:

SCHNEID MR12 IMP add-on board

Technical data:

Intrastat Number:	8537.10.91.90
Country of origin	EU/AT
Height, width, depth (in mm)	40x100x17
Weight (in kg)	0,030
Protection class	IP20
Ambient temperature	-5 °C bis +55 °C
Pulse Input / Voltage	12VDC (specified by input)
Pulse Input / Current	10mA (to GND)
Max.pulse rate	750Hz (from controller generation C#30454 1.4kHz)
connection type	Spring terminals for fixed wiring
mounting type	SCHNEID-DIN-RAIL TS35
operating time	continuous operation
degree of pollution	2