

Polycarbonate housing for repeater CM09-R



Schneid GesmbH | Gewerbering 16 | A-8054 | Graz/Pirka | Tel: +43 (316) 285022

Products, data sheets, documentation, MR12-SCHEMA-calculator: www.schneid.at

SCHNEID Polycarbonate housing for repeater CM09-R for outdoor use

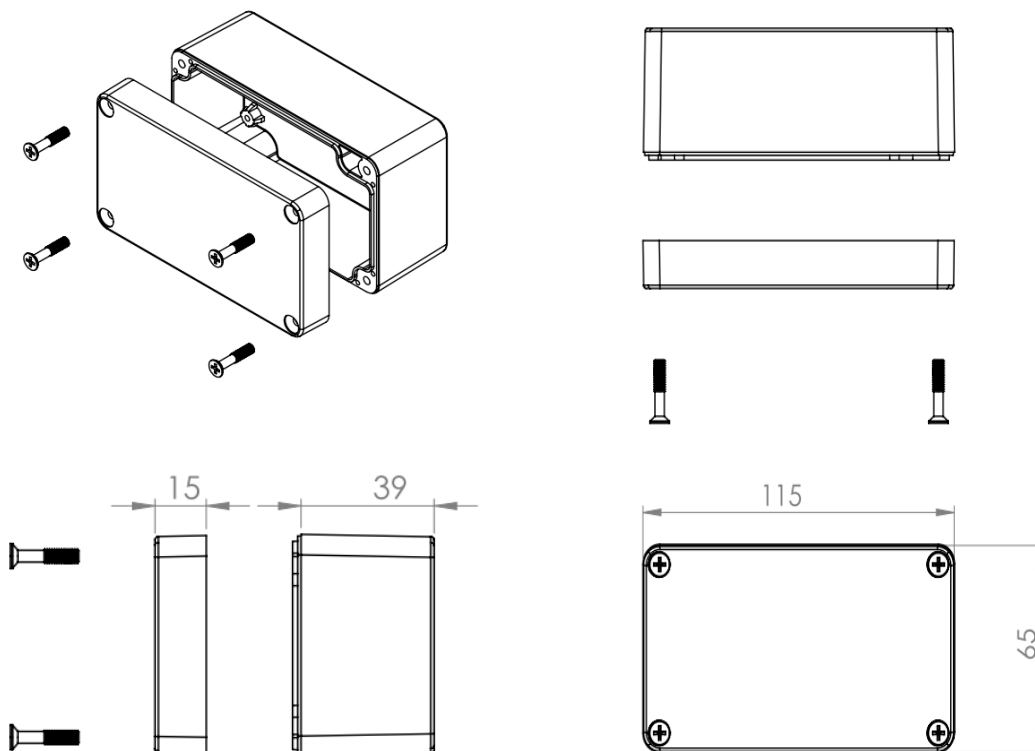
Order number: 400.14253

Order code: Kunststoffgehäuse für Repeater CM09-R



Overview:

Polycarbonate housing made of polycarbonate for outdoor wall mounting, protected against water and dust. Lid screws are self-locking upon initial assembly.



Polycarbonate housing for repeater CM09-R

Scope of delivery:

SCHNEID Polycarbonate housing for repeater CM09-R

Technical specifications:

Intrastat Number:	9403.10.93.00
Country of origin	no preferential origin
Height, width, depth (in mm)	115x65x54
Weight (in kg)	0,140
Degree of protection	IP65
mounting type	wall mounting
Temperature range under normal conditions	-40° C / +130° C
UL flammability rate	UL-94HB