

RS-422 communication module



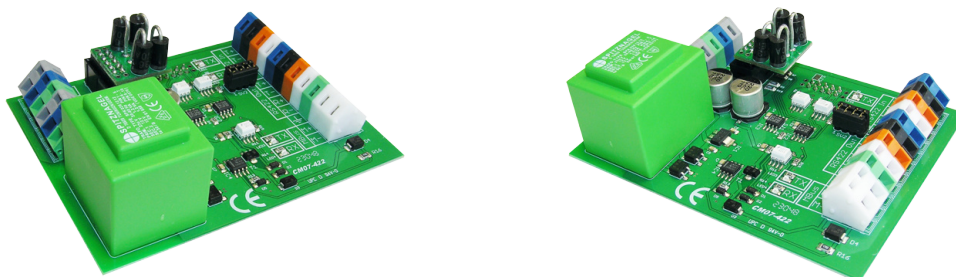
Schneid GesmbH | Gewerbering 16 | A-8054 | Graz/Pirka | Tel: +43 (316) 285022

Products, data sheets, documentation, MR12-SCHEMA-calculator: www.schneid.at

RS-422 communication module

for SCHNEID module controller MR03/07/08/12

Order number:	130.12700
Order code:	SCHNEID Kommunikationsmodul RS422 NormBus



Overview:

The SCHNEID communication module RS422 NormBus is equipped with up to two bus interfaces:

1. Standard bus RS422 for controller networking and system visualization (without performance reduction compared to the COM-Basis version with bus plug-in cards)
2. M-bus interface for querying a maximum of two M-bus meters.

The circuit board is designed with a pluggable SCHNEID surge arrester module FSS-SCHNEID (as with the version: data socket). To simplify the measurement of the cabling, jumpers are available to separate the data network without having to disconnect the bus cables.

The M-Bus master interface is used to read out max. a heat meter.

Terminal diagram:

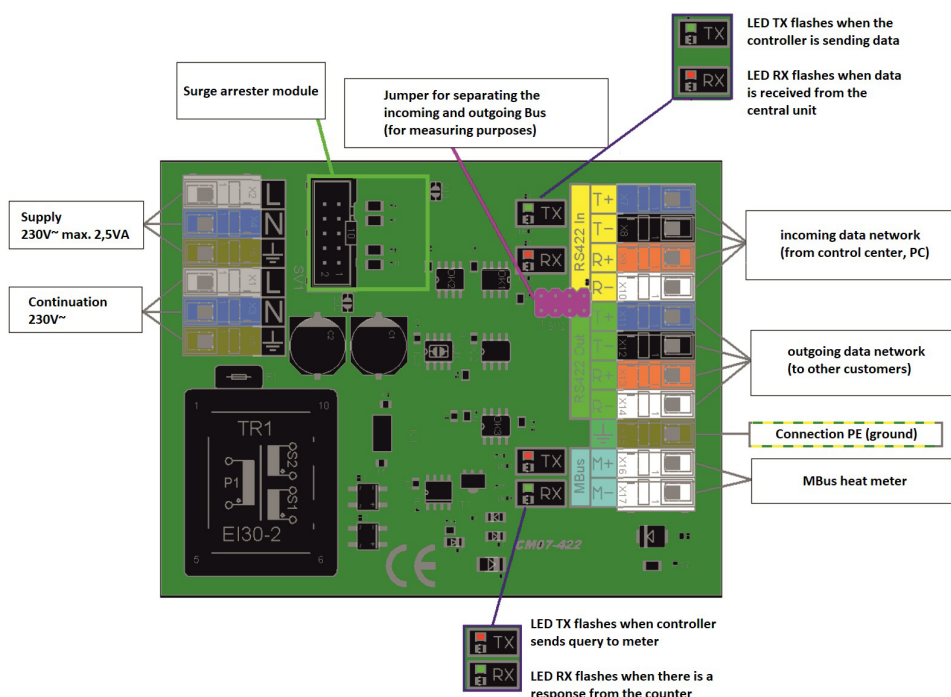
RS422 IN (incoming)		RS422 OUT (outgoing)	
1	TX +	1	TX +
2	TX -	2	TX -
3	RX +	3	RX +
4	RX	4	RX -

Connect the PE connection to the system earth (otherwise overvoltage protection is ineffective) !!

US (max. 1 meter)

- 1 -- MBUS +
- 2 -- MBUS -

RS-422 communication module



Scope of Delivery:

SCHNEID communication module RS422 NormBus and connection cable 10-pin (800mm)

Technical specifications:

Intrastat Number	8537.10.91.90
Country of origin	EU/AT
Height, width, depth (in mm)	75x100x40
Weight (in kg)	0,188
Protection class	IP-20
Ambient temperature	0°C....+40°C
Operating voltage	230VAC
Power consumption	Max. 3VA
Connection type	Fixed wiring terminals
Connection technology	Cage clamp
Line cross-section	Max. 2.5mm ²
Mounting type	DIN-RAIL TS35
Operating time	Continuous operation
Degree of pollution	2
Rated surge voltage	1kV